



ZEN SPACE DESKS

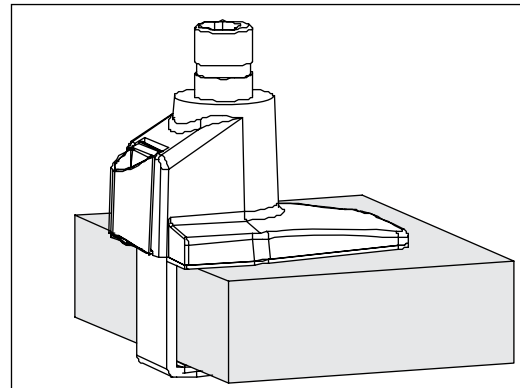
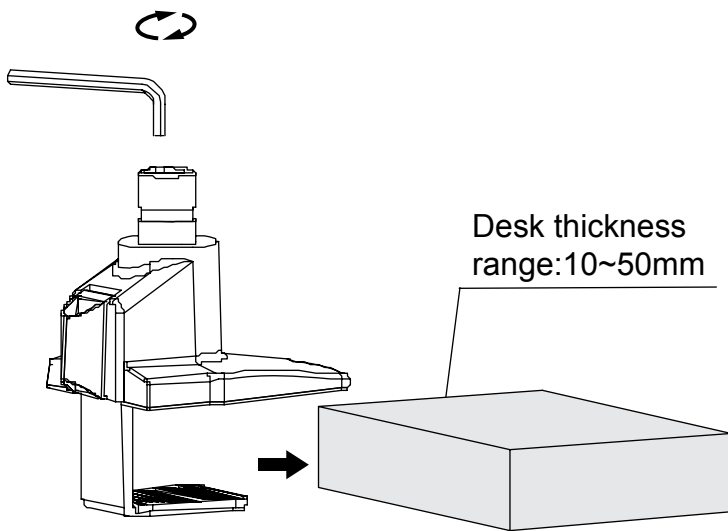
SINGLE SCREEN MONITOR ARM SETUP INSTRUCTIONS
MODEL NUMBER #1343

Scan to watch our set-up video

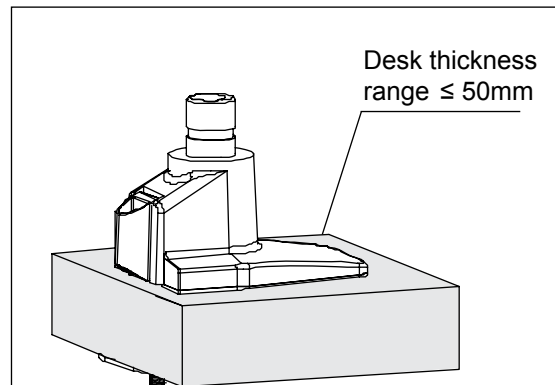
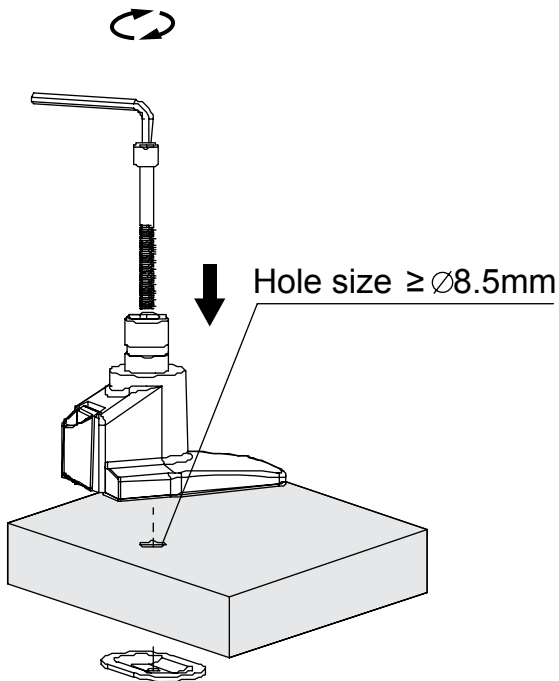


DESK MOUNTING OPTIONS

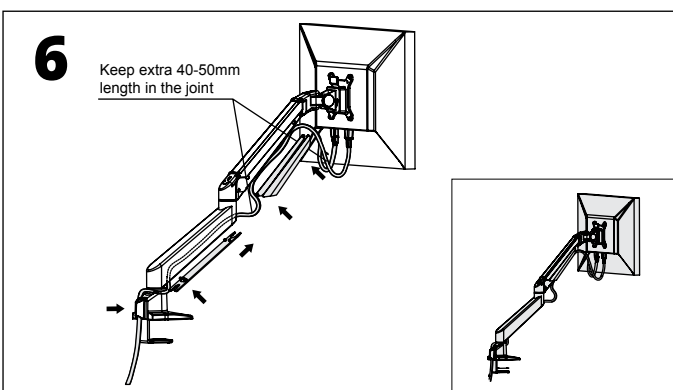
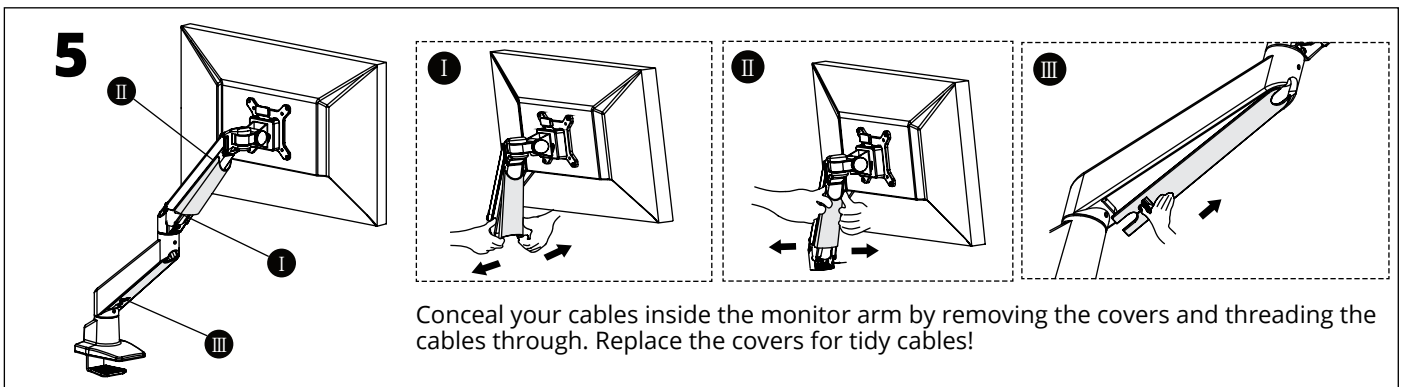
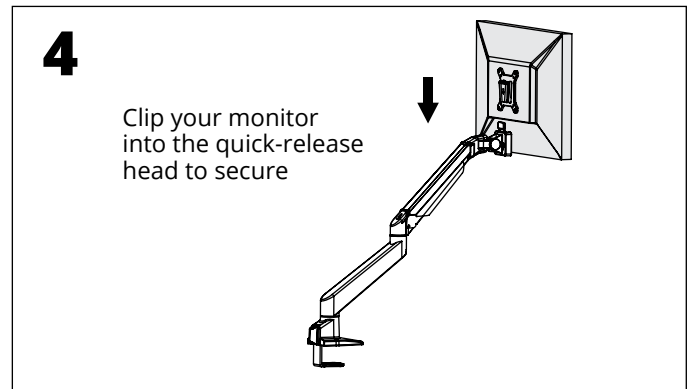
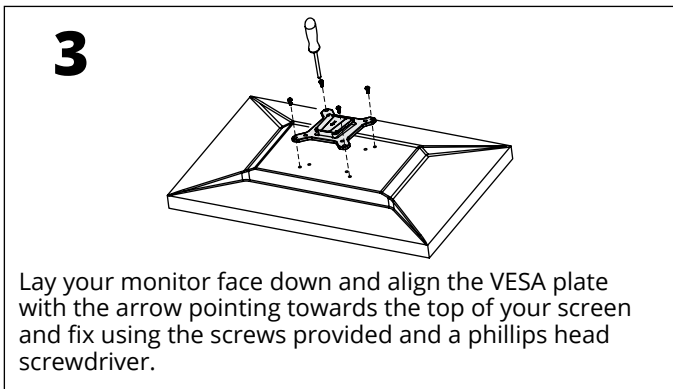
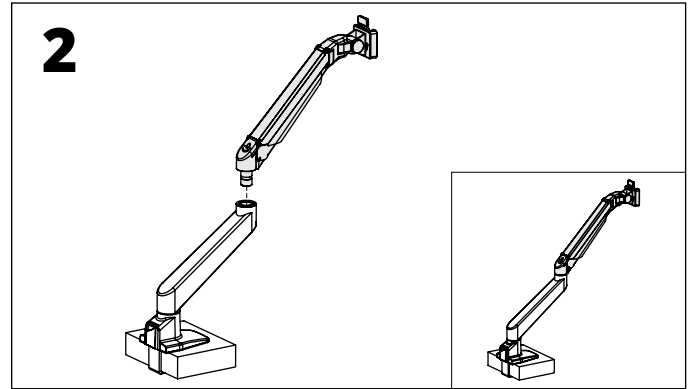
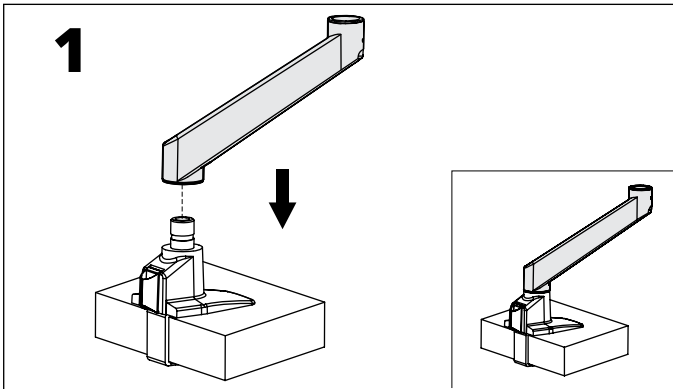
DESK CLAMP



THROUGH DESK



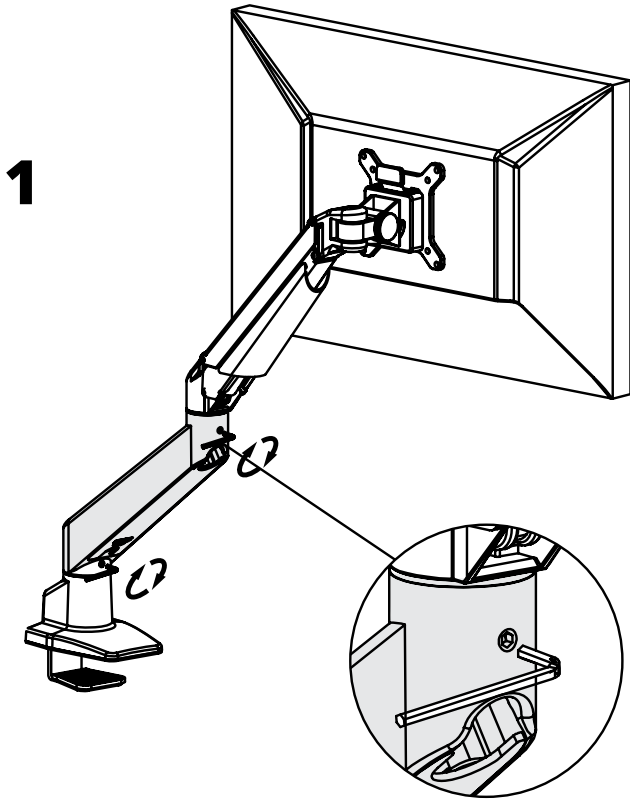
ASSEMBLY



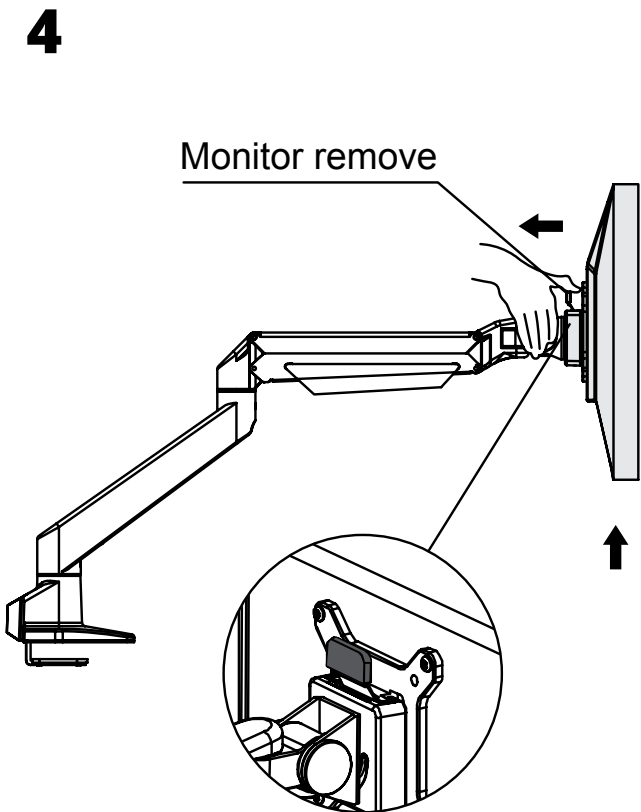
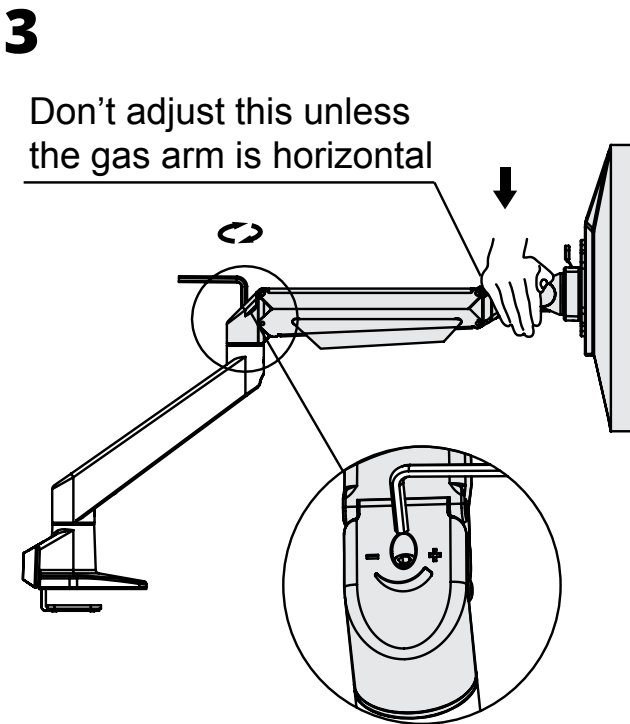
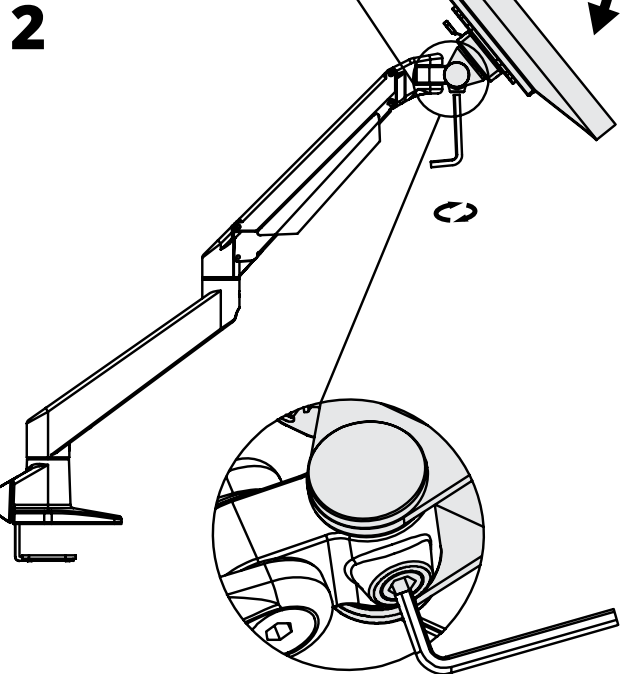
Zen Space Desks Pty. Ltd.

Unit 1, 238 Lytton Rd
Morningside, Queensland 4170
Phone: 07 3063 2143
www.zenspacedesks.com.au

ADJUSTMENT PROCEDURE



Adjust this according to monitor weight



Try more to make above adjustment based on monitor weight to get best free-stop effect